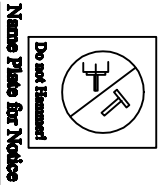
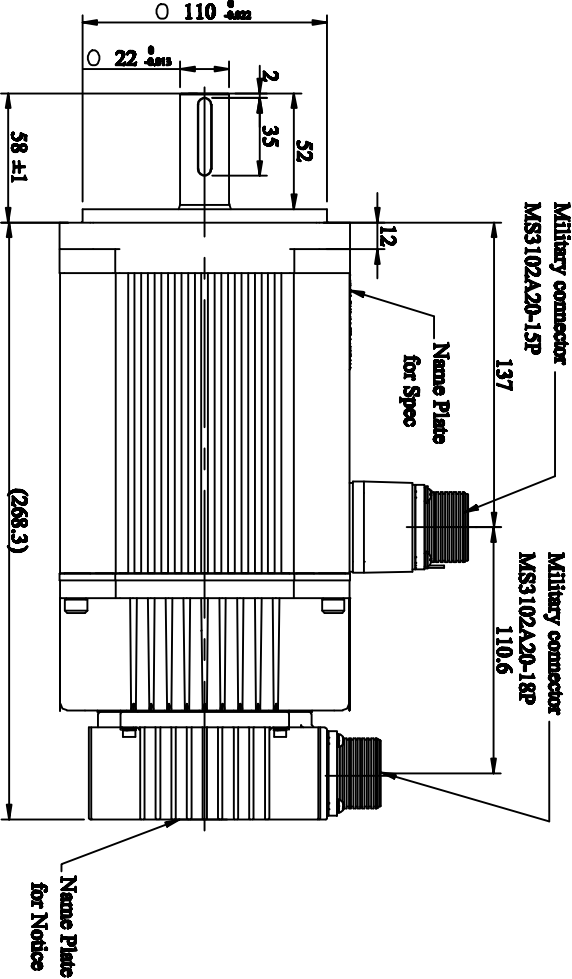
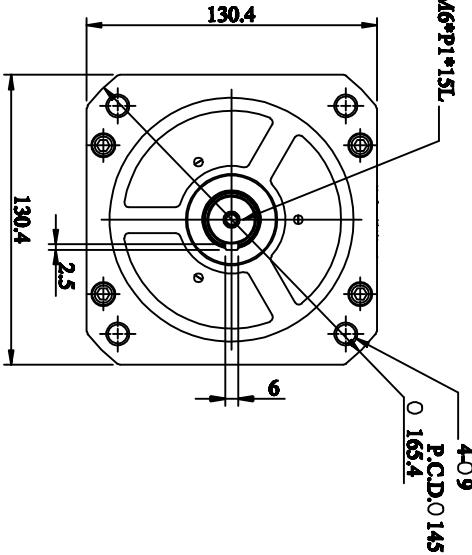


Model: TSB13202B-3B*

No.	Term	Symbol	Unit	Specification	No.	Term	Symbol	Unit	Specification
1	Drive	-	-	Rectangular Wave	13	Rotor Inertia	J-M	kg-cm ²	12.84 ±10%
2	Cooling Method	-	-	Totally Enclosed	14	Rated Power Rate	Q-R	Kw/s	70.96
3	Exciting Method	-	-	Permanent Magnet	15	Resistance	Ra	Ω	0.58±10%/2φ
4	Resolution	-	-	NOTE2.	16	Inductance	L	mH	3.78±10%/2φ
5	Rated Output	P-R	W	2kW	17	Mech. Time Constant	Tm	ms	0.86±10%
6	Rated Torque	T-R	N-m	9.545	18	Elect. Time Constant	Te	ms	6.52±10%
7	Max. Torque	T-max	N-m	28.645	19	Insulation Class	-	-	Class B
8	Rated Speed	N-R	rpm	2000	20	Operation Temp.	T	°C	0~40
9	Rated Current	I-R	A	9.18	21	Operation Humid.	RH	%	<90
10	Max. Current	I-max	A	27.5	22	Storage Temp.	T	°C	-20~60°
11	Torque Constant	Kt	N-m/A	1.139±10%	23	Storage Humid.	RH	%	<90
12	Back emf(at 1800rpm)	Vemf	Volts	124±10%/2φ	24	Weight	W	kgw	13.04

- Notes:
 1. Motor to be IP67
 (excluding the shaft opening & connectors)
 2. Encoder TYPE:2500ppr,8192ppr
 17bit ,15bit

AC SERVO MOTOR
 Model: TSB13202B-3B*
 Pr: 2 kw Nr: 2000 rpm
 E: 9.18A Tr: 97.4 kg-cm
 NO: *****



Name Plate for Spec

Name Plate for Spec

STANDARD TOLERANCE

X	±0.5
X	±0.2
XX	±0.05
ANGLE	±30°

REV	DESCRIPTION	SIGNATURE	DATE	AP/VD	CHKD	CHKD	DWN	YCL	SIGNATURE	DATE	SCALE	1/3	UNIT	m	m	NAME	TTITLE	DWG.NO.	DTSB13202B3B*
6					CHKD	CHKD	DWN	YCL		06-23-10	3RD A/P	UNIT	m <td>m <td>NAME</td> <td>TTITLE</td> <td>DWG.NO.</td> <td>DTSB13202B3B* </td></td>	m <td>NAME</td> <td>TTITLE</td> <td>DWG.NO.</td> <td>DTSB13202B3B* </td>	NAME	TTITLE	DWG.NO.	DTSB13202B3B*	
5																			
4																			
3																			
2																			
1																			

Servo Motor Outline Drawing

TSB13202B-3B*

DWG.NO. DTSB13202B3B*